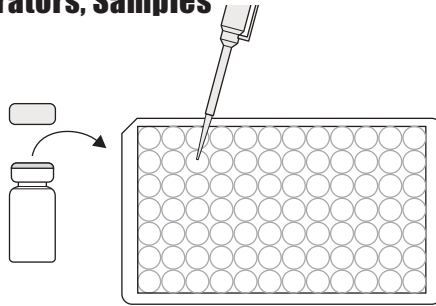


ABRAXIS® Melamine ELISA 50005B

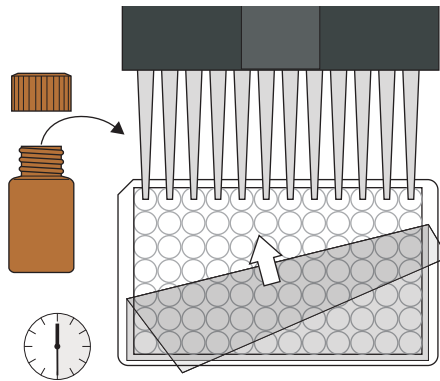
1. Addition of Calibrators, Samples

Add 100 uL of calibrators or diluted sample extracts into the wells of the test strips according to the working scheme given. Be sure to use a clean pipet tip for each.



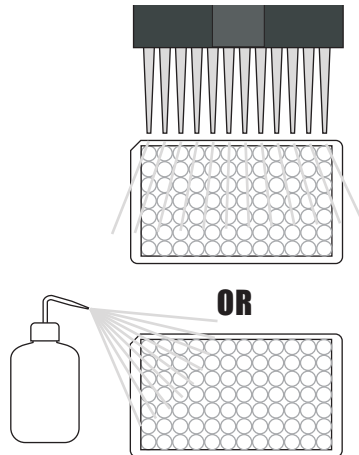
2. Addition of Enzyme Conjugate

Add 50 uL of the Enzyme Conjugate to the individual wells successively using a multi-channel pipette or a stepping pipette. Cover the wells with parafilm or tape and mix the contents by moving the strip holder in a rapid circular motion on the benchtop for 30 seconds. Be careful not to spill contents. Incubate the strips for 30 min at room temperature.



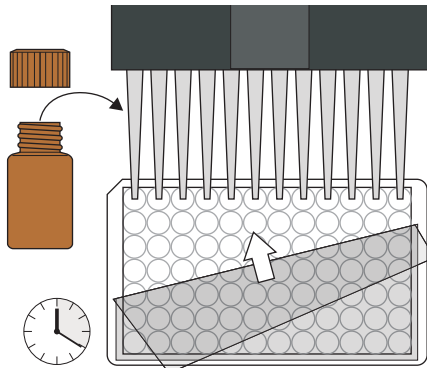
3. Washing of Plates

After incubation, remove the covering and vigorously shake the contents of the wells into a sink. Wash the strips four times with a multi-channel pipette or wash bottle using the diluted 5X washing buffer solution. Please use at least a volume of 250 uL of washing buffer for each well and each washing step. Remaining buffer in the wells should be removed by patting the plate dry on a stack of paper towels.



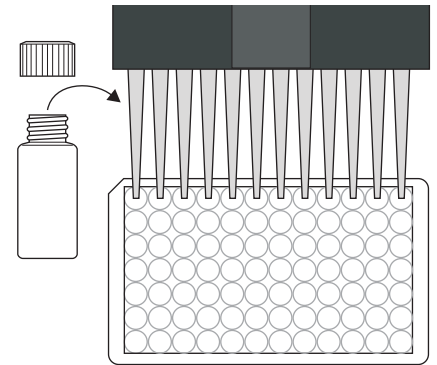
4. Addition of Substrate/Color Solution

Add 100 uL of substrate/color solution to the individual wells successively using a multi-channel pipette or a stepping pipette. Cover the wells with parafilm or tape and mix the contents by moving the strip holder in a rapid circular motion on the benchtop. Be careful not to spill contents. Incubate the strips for 20 min at room temperature.



5. Addition of Stopping Solution

Add 100 uL of stop solution to the wells in the same sequence as for the substrate solution using a multi-channel pipette or a stepping pipette.



6. Measurement of Color

Read the absorbance at 450 nm using a microplate ELISA reader. Calculate results.

NOTE: Multiply ELISA results by appropriate dilution factors.

